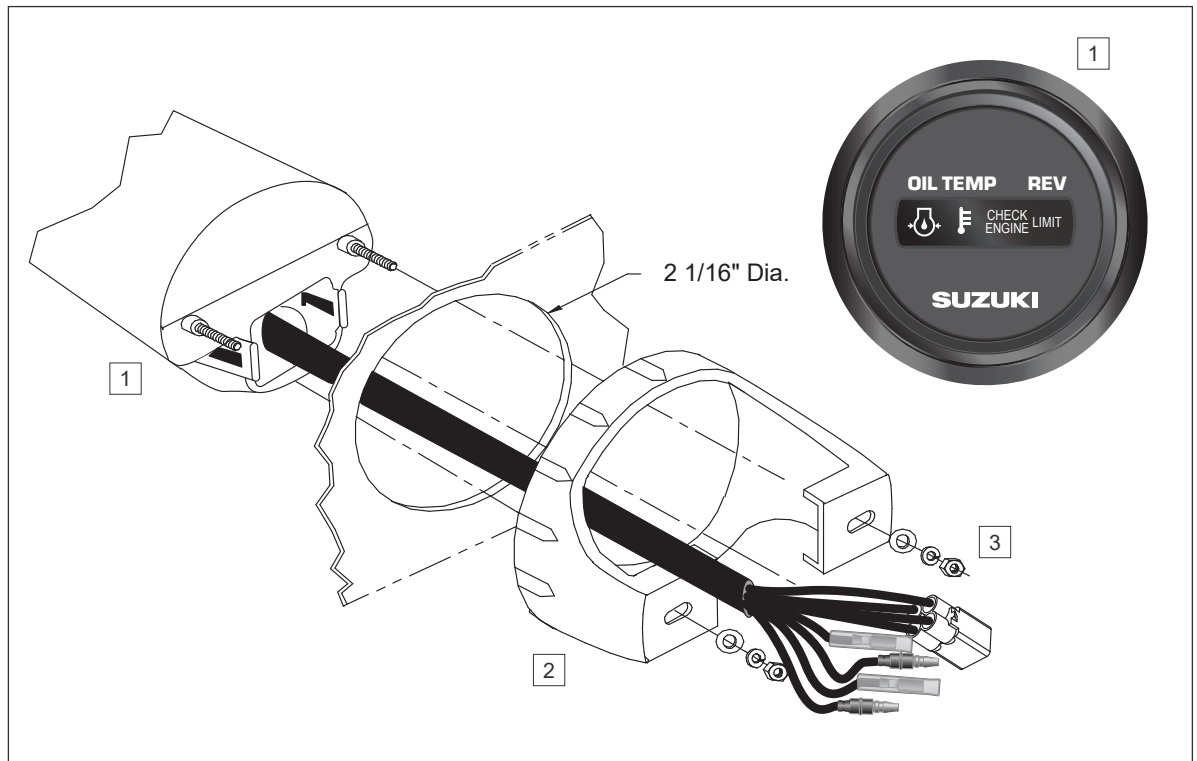


INSTALLATION INSTRUCTIONS

Description:	System Monitor	Part Number:	990C0-80008/80108
Applications:	Suzuki Marine Boats	Installation Time:	1 HRS
NOTE:	Mounts in standard 2 1/16" hole.	Weight:	1 lbs

Contents

Ref.	Part Number	Description	QTY
1.	990C0-80008/80108	System Monitor Gauge	1
2.	BC0128	Mounting Bracket	1
3.	Mounting Hardware		1



Tools Required

Ref.	Tools Description
1.	5/16" Nut Driver
2.	Suzuki Terminal Kit 09900-28701



Important

- ⚠ WARNING**
- ⚠ CAUTION**
- NOTE**

Please read this manual and follow its instructions carefully. To emphasize special information, the symbol **⚠** and the words **WARNING, CAUTION** and **NOTE** have special meanings. Pay special attention to the messages highlighted by these signal words:
NOTE: Indicates special information to make maintenance easier or instructions clear.

⚠ WARNING
 Indicates potential hazard that could result in death or injury.

⚠ CAUTION
 Indicates potential hazard that could result in vehicle damage.



⚠ CAUTION

- Disconnect battery during installation.
- Tighten nuts on backclamp only slightly more than you can tighten with your fingers. Six inch-pounds of torque is sufficient. Over tightening may result in damage to the instrument and may void your warranty.
- Gasket cement or other adhesive is not required to secure tubing to fittings.

Installation

1. Cut a 2 1/16" dia. hole in the dash and mount the gauge with the backclamp supplied.
2. To connect the instrument, align the keys on the gauge's wire harness plug with the engine MONITOR harness (#36682-92E00) instrument's receptacle. Push the plug in gently until the catches snap in place.
3. Connect the Gray wire (Ignition) and the Black (Ground) to the Suzuki harness.

Mounting Hardware Kit




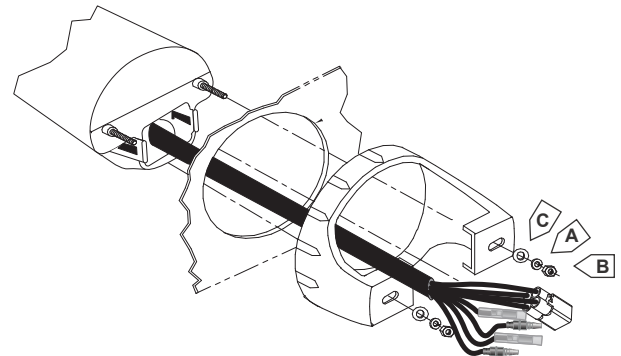
A		x 2
B		x 2
C		x 2

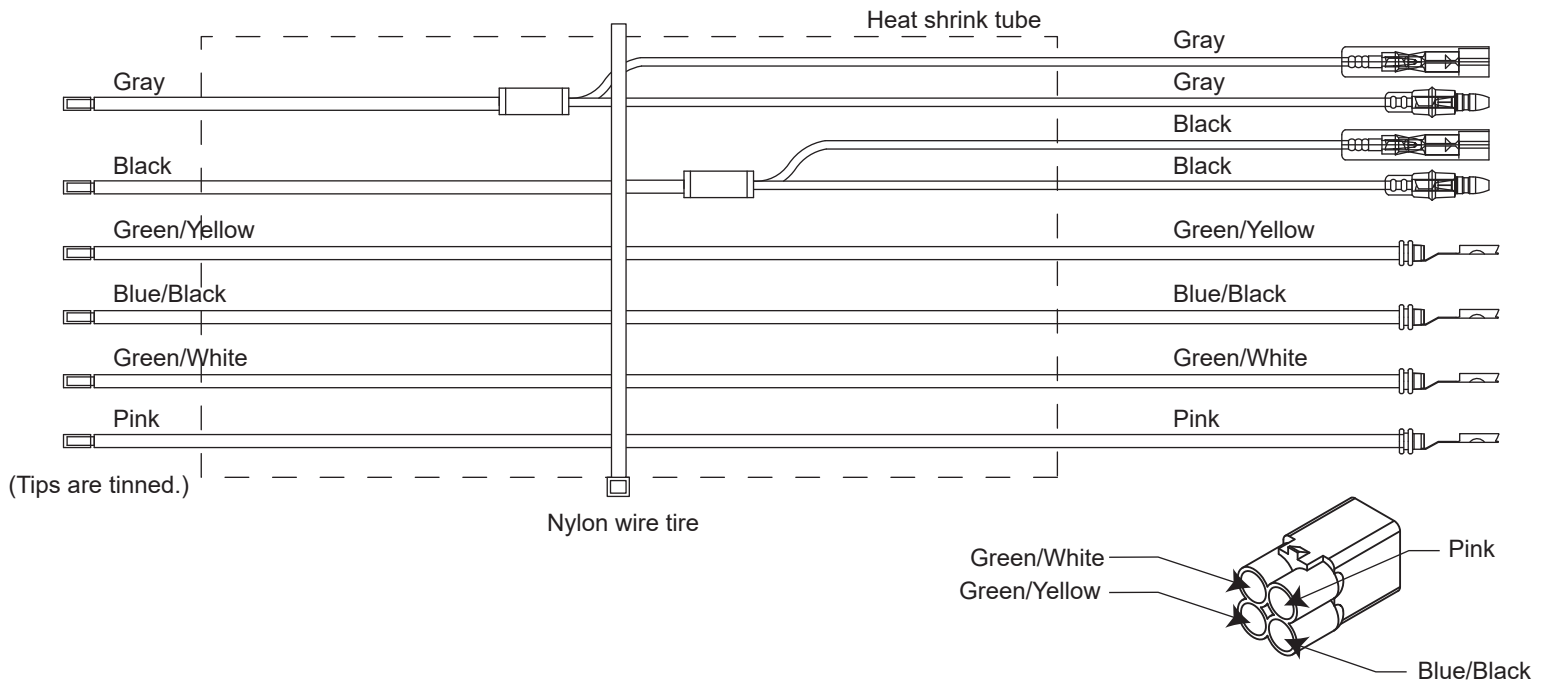
Figure 1





Harness Diagram

HN0409 rev A ecr 5609 8/05



Trouble Shooting

Trouble	Inspection	Diagnosis	Action
There are no trouble shooting conditions.			

