



J-1939 Indicator with 4 Icon Positions



SAE J1939



SAE J1939 CAN and NMEA2000 tell-tale product provides 4 LED illuminated operator alert tell-tales and one programmable switched output.

The large, front facing operator button provides manual access to the switched output. Giving the operator control over a connected CAN controlled device. Additionally the switched output can be automatically triggered by any CAN message (DM1 or other) detected by the Indicator.


The alert panel directly reads and processes compliant CAN messages. Multiple configurations are available based on your needs.

Features and Benefits

- Environmentally sealed connectors
- Custom icon configurations available
- SAE J-1939 and NMEA2000 CAN protocol support
- Bright LED illuminated tell-tales
- Factory programed switched output can be triggered by any of the Tell-Tales or operated by manual control.

Faria Beede Instruments, Inc.
P. O. Box 983
Uncasville, CT 06382
860.848.9271
Fax: 860.848.2704

88 Village Street
Penacook, NH 03303
603.753.6362
Toll-free: 800.451.8255
Fax: 603.753.6201

 Made in the USA

fm-001-0117 rev A 04/2015

www.FariaBeede.com

Specifications

Protocol Compliance

Society of Automotive Engineers SAE J1939
NMEA2000

Environmental Specifications

Shock (Non-operating):

50 +/- 2 G and a half sine duration of 11 +/- 2 ms. per MIL-STD-202, Method 213

Vibration (Non-operating):

4 G peak, 10 to 200Hz
SAE J1455 Appendix A

Temperature:

Operating, -20°F to 158°F (-20°C to 70°C)
Storage, -40°F to 185°F (-20°C to 85°C) 50% RH

Humidity:

95% relative humidity @110°F (43°C) non-condensing

Mounting Specifications

See diagram below for mounting pattern.

Mounting hardware torque: 6 lb-in (0.68 N-m) max.

Electrical Specifications

Reverse Polarity Protection: Standard entire system

Load Dump:

Meets SAE J1113, 3 positive 160V transients
one minute intervals

Operating Voltage: 9-32VDC standard

Over Voltage:

Withstands 36V continuously for one hour

Tell-tale illumination: LED

Connector Specifications

Mates with Deutsch I.P.D. DT series connectors.

6 pin Connector: DT04-6P

16-20 AWG stranded copper wire recommended.

Mechanical

Case:

Molded Poly carbonate

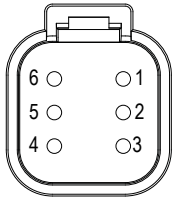
Dial:

Textured finish polymer
Backlit dead-front alert icons
Opaque background

Sealing:

IP 65 compliant

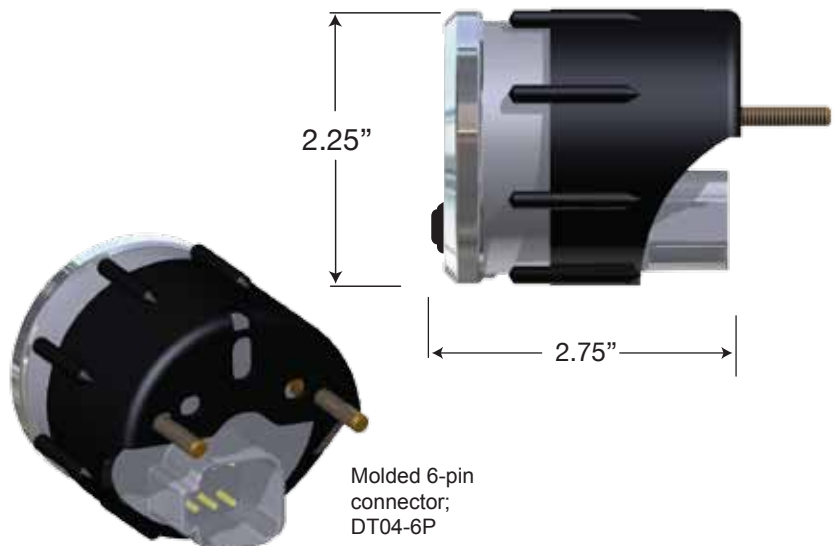
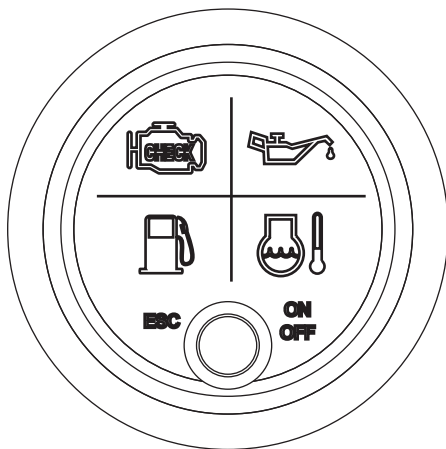
Wiring Connections



6 Pin Connector Detail
Mates with Deutsch I.P.D.
DT Series Connector
DT-04-6P

6 Pin Connector	
Pin Number	Connection Name
1	J1939 (+) CAN - H
2	J1939 (-) CAN - L
3	J1939 (Shield)
4	12/24v Ignition
5	EXT Switch
6	Ground

Product Outline Drawing



Molded 6-pin
connector;
DT04-6P